

CustomSound™ CS AIC 860 Angled In-Ceiling Speaker



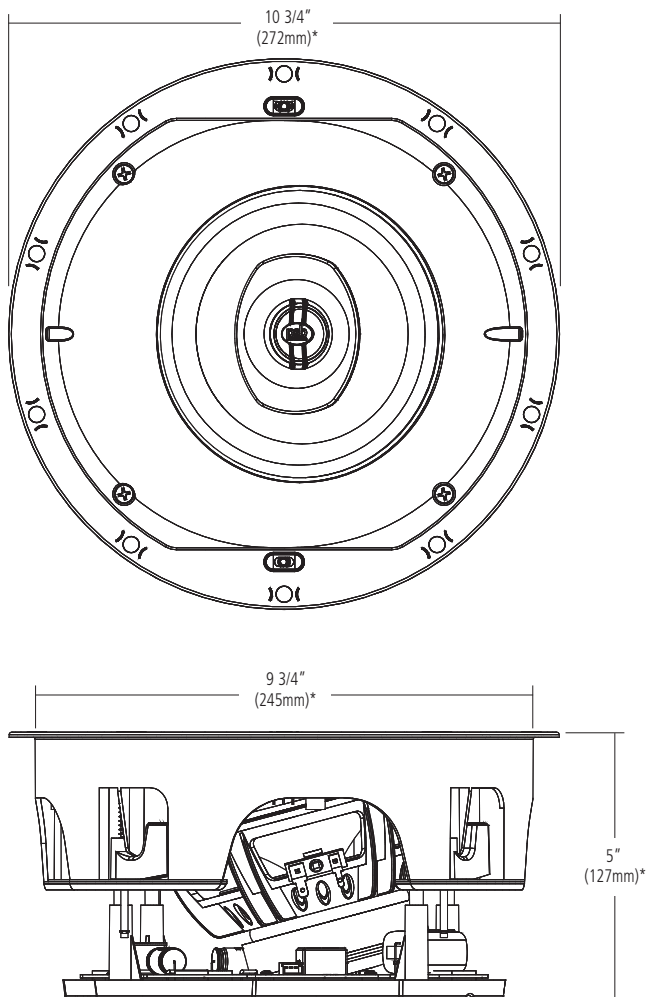
The CS AIC 860 is an angled in-ceiling speaker that is designed to allow proper dispersion required to create a nice three-dimensional sound stage when recessed into the ceiling. The design minimizes the amount of refraction common to many angled speakers which can often give away the position of the speaker. The listener hears a wide and constant sound field which seems to emanate from the chosen listening area rather than from the installation point.

The premium woofer of the AIC 860 pays huge dividends in bass output and extension. This woofer includes a few of the tricks PSB has developed for its top-of-the-line Imagine T3 speaker to get higher sensitivity and lower harmonic distortion at high playback levels. It retains all of the other features and advantages of its more affordable little brother, with an upgraded 1" titanium tweeter with Wave Guide and indexed adjustment for precise adjustment of the tweeters acoustic axis. Also featured are acoustic adjustments for the mid/woofer and tweeter level.

The CS AIC 860 features frameless magnetic grilles with invisible scrims. Both round and square grilles are provided, simplifying and reducing your inventory requirements. Installation is easy and predictable with the improved, simple, fool-proof mounting system using heavy duty doglegs. Cutting templates are included. Pre-construction brackets and backcans are also available.

- 6 1/2" Premium 2-Way Angled In-Ceiling Speaker
- Proprietary Imagine carbon-filled polypropylene cone, rubber surround
- Proprietary 1" Titanium Dome Tweeter
- Pivoting Tweeter with Wave Guide and 15° Angled Woofer
- Perfect for high performance home theater applications
- Frameless round and square grilles
- Individual adjustment level switches for Tweeter and Woofer
- Design and final voicing engineered by Paul Barton
- High strength doglegs for easy installation and removal
- Pre-construction brackets and backcan available
- Gross Dimensions:
 - Round Grille – 10 3/4"
 - Square Grille – 10 3/4" x 10 3/4"
 - Cutout Dimensions: 9 3/4"
 - Mounting Depth: 5"

CustomSound CS AIC 860 Angled In-Ceiling Speaker



FREQUENCY RANGE

Response: On Axis @ 0°±3dB 48-20kHz

Sound Pressure Level

Maximum @ 100Hz TBD

Sensitivity

Anechoic Chamber 86dB
Listening Room 88dB

Impedance

Nominal 6 Ohms
Minimum 4 Ohms

Input Power

Recommended 10-100 Watts

Acoustic Design

Tweeter (Nominal) 1" (25mm) Titanium Dome with Ferrofluid

Woofer (Nominal) 6 1/2" (165mm)
Fiber filled, Injection Molded Basket
Black Polypropylene Cone
Rubber Surround

Design Type Open Back

EQ Adjustment Tweeter & Woofer Switch

FINISH//CONSTRUCTION

Finish Frame ABS
Back Box Optional Integrated Acoustic Backbox

Grille Material Steel; Perforated with white scrim
Type Frameless

Connectors Gold-plated, Spring Loaded, 12AWG

SIZE (W x H x D)

Grille Dimensions (Frameless Design) 10 3/4" (272mm)

Rough-in/Mounting Hole 9 3/4" (245mm)

Mounting Depth with Backcan 5 1/4" (133mm)

Weight 5.15 lb (2.3 kg)

Shipping Information

Net W 28 1/8" (720 mm)

Net H 14 3/16" (368 mm)

Net D 15 1/4" (397 mm)

Weight 38 lb (17 kg)

REAL SOUND for REAL PEOPLE

www.PSBspeakers.com

CustomSound™ CS605 2-Way In-Ceiling Loudspeaker



This superb group of architectural speakers embody over 40 years of cutting-edge research in the field of acoustics and loudspeaker design. Musical, refined, and nearly invisible, these speakers can create a beautiful ambience, even in larger spaces. Because their sonic signature is identical to other PSB speakers, the CS series can integrate perfectly as part of home theatres or as the soundtrack of the connected home. Since PSB has in-room, on-wall, outdoor, in-wall and in-ceiling designs at many different price points, it makes it easy to specify an audio system that you know will turn out right, be easy to specify and install, and will absolutely thrill even your most discriminating clients.

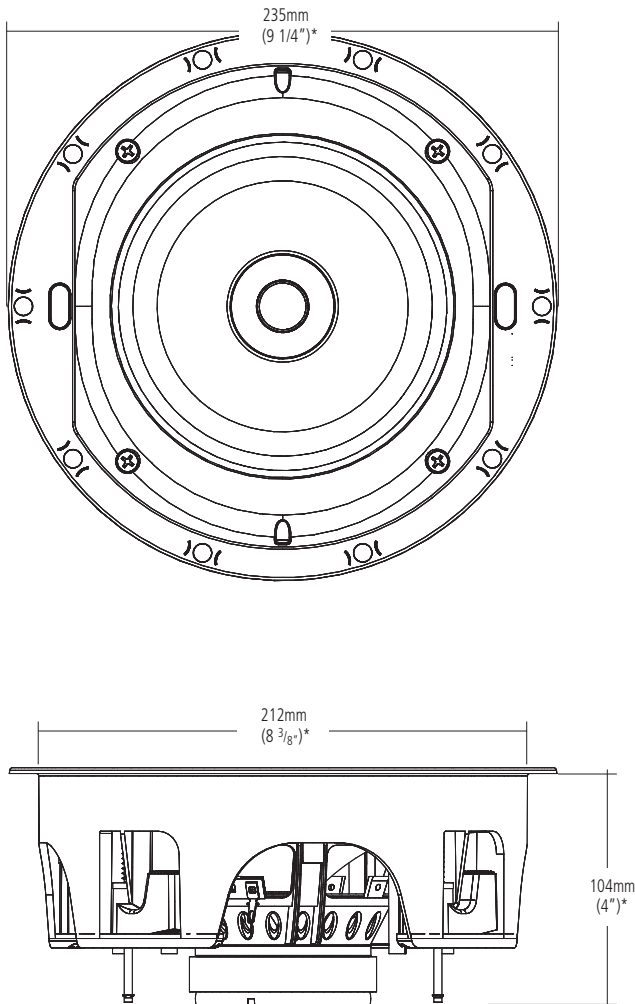
There are seven models in this series, and all feature frameless magnetic grilles with invisible scrims. Both round and square grilles are provided (CS605, CS805 only have round grills), simplifying and reducing your inventory requirements. Each model features an improved, simple, foolproof mounting system using heavy duty doglegs. Cutting templates are included. Pre-construction brackets and back-cans are also available.

CS605 2-way In-Ceiling Speaker

Sharing the same tonal characteristics as its family members, this model is a wonderful introduction to PSB sound at a very affordable price. Featuring a 19mm ($\frac{3}{4}$ ") soft dome fabric tweeter and a 6 $\frac{1}{2}$ " polypropylene cone, it's well matched to offer wide and constant dispersion throughout its frequency range.

- 165mm (6 $\frac{1}{2}$ ") 2-way in-ceiling flush mount speaker
- Carbon-filled polypropylene cone
- Proprietary 19mm ($\frac{3}{4}$ ") treated textile dome tweeter
- High strength doglegs for easy installation and removal
- Includes round magnetic frameless grille

CustomSound CS605 2-Way In-Ceiling Loudspeaker



Frequency Response (Anechoic Chamber)

On Axis @ 0°±3dB 50-20kHz

Sensitivity (1W (2.83V) @ 1M, IEC-Filtered pink noise, C-weighted)

Anechoic Chamber 85dB
Listening Room 87dB

Impedance

Nominal 6 Ohms
Minimum 4 Ohms

Input Power (RMS, Clipping <10% Time)

Recommended 10-100 Watts

Acoustic Design

Tweeter (Nominal) 19mm (3/4") Treated Textile dome with ferrofluid

Woofer (Nominal) 165mm (6 1/2") Stamped Steel Basket
Black Polypropylene Cone
Foam Surround

Crossover 1st order high pass

Design Type Open back

FINISH/CONSTRUCTION

Back Frame ABS

Grille Material Steel; Perforated w white scrim

Grille Type Frameless

Connectors Spring Loaded Speaker Terminals

Size (W x H x D) (Gross Dimensions)

Mounting Depth 104mm (4")*
Cutout Diameter 212mm (8 3/8")*
Grill Round 238mm (9 1/3")*
Grill Square 238mm x 238mm (9 3/8 x 9 3/8")*
Round grill supplied

* Non-metric measurements are approximate.

REAL SOUND for REAL PEOPLE
www.PSBspeakers.com

CustomSound™ CS610 2-Way In-Ceiling Speaker



This superb group of architectural speakers embody over 40 years of cutting edge research in the field of acoustics and loudspeaker design. Musical, refined, and nearly invisible, these speakers can create a beautiful ambience, even in larger spaces. Because their sonic signature is identical to other PSB speakers, these CS600's can integrate perfectly as part of home theatres or as the soundtrack of the connected home. Since PSB has in-room, on-wall, outdoor, in-wall and in-ceiling designs at many different price points, it makes it easy to specify an audio system that you know will turn out right, be easy to specify and install, and will absolutely thrill even your most discriminating clients.

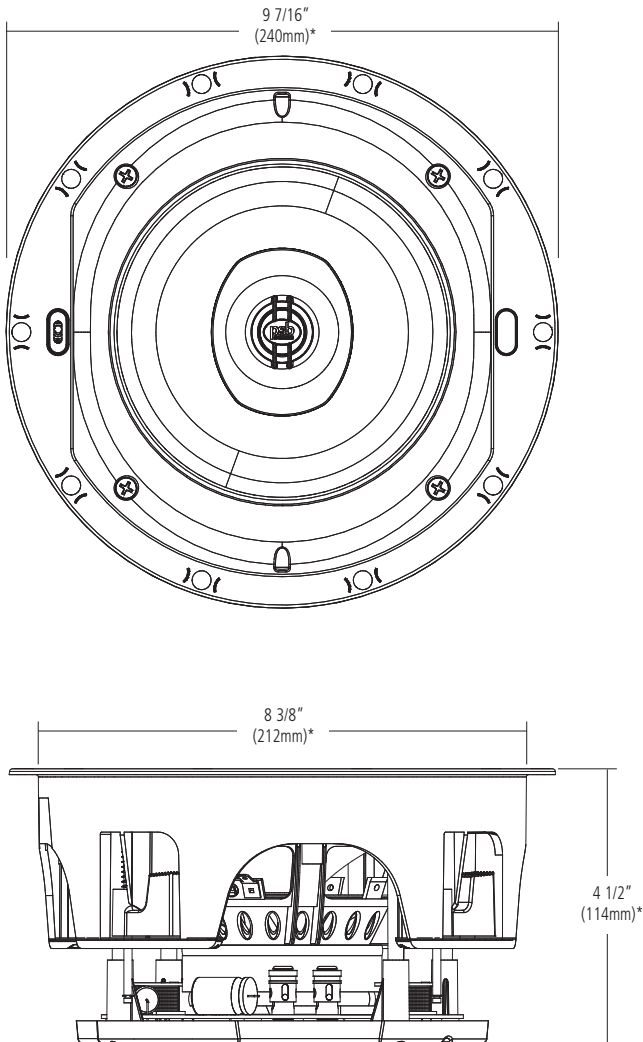
There are three models in this series, and all feature frameless magnetic grilles with invisible scrims. Both round and square grilles are provided, simplifying and reducing your inventory requirements. Each model features an improved simple, foolproof mounting system using heavy duty doglegs. Cutting templates are included. Pre-construction brackets and backcans are also available.

CS610 2-way In-Ceiling Speaker

Featuring PSB's trademark carbon-filled polypropylene 6 1/2" woofer, this speaker has a warm and balanced sound with plenty of power handling thanks to the high temperature voice coil. The 3/4" aluminium dome tweeter, another proprietary PSB driver, is concentrically mounted and features a carefully engineered Wave Guide and ball-joint pivot mount assembly. This allows the tweeter to go lower in frequency, creating a perfect blend with the woofer in the crossover region, and allows the tweeter to be aimed toward the listening position for enhanced musical imaging. Adjustment for the level of the tweeter allows you to 'dial in' the upper frequency response of the speaker and its acoustic environment after installation to achieve the most musical balance for every room.

- 6 1/2" 2-way in-ceiling flush mount speaker
- Proprietary Imagine carbon-filled polypropylene cone with injection molded basket
- Proprietary 3/4" aluminium dome tweeter
- Aimable tweeter angle adjustment (ball-joint)
- Precision crossover network for smooth wide-band response
- Dual position switch for tweeter level
- High strength doglegs for easy installation and removal
- Includes both round and square magnetic frameless grilles

CustomSound CS610 2-Way In-Ceiling Speaker



Frequency Response (Anechoic Chamber)	
On Axis @ 0°±3dB	50-20,000Hz
Sensitivity (1W (2.83V) @ 1M, IEC-Filtered pink noise, C-weighted)	
Anechoic Chamber	86dB
Listening Room	88dB
Impedance	
Nominal	6 Ohms
Minimum	4 Ohms
Input Power (RMS, Clipping <10% Time)	
Recommended	10-100 Watts
Acoustic Design	
Tweeter (Nominal)	3/4" (19mm) aluminium dome with ferrofluid Black anodized
Woofers (Nominal)	6 1/2" (165mm) Carbon-filled polypropylene cone Rubber surround
Design Type	Open back
EQ Adjustment	Tweeter switch
Size (W x H x D) (Gross Dimensions)	
Mounting Depth	4 1/2" (114mm)*
Cutout Diameter	8 3/8" (212mm)*
Grill Round	9 7/16" (240mm)*
Grill Square	9 7/16 x 9 7/16" (240mm x 240mm)*
Both round and square grills supplied	
Finish	
	White

* Non-metric measurements are approximate.

REAL SOUND for REAL PEOPLE
www.PSBspeakers.com

CustomSound™ CS630 Stereo/Surround In-Ceiling Speaker



This superb group of architectural speakers embody over 40 years of cutting edge research in the field of acoustics and loudspeaker design. Musical, refined, and nearly invisible, these speakers can create a beautiful ambience, even in larger spaces. Because their sonic signature is identical to other PSB speakers, these CS600's can integrate perfectly as part of home theatres or as the soundtrack of the connected home. Since PSB has in-room, on-wall, outdoor, in-wall and in-ceiling designs at many different price points, it makes it easy to specify an audio system that you know will turn out right, be easy to specify and install, and will absolutely thrill even your most discriminating clients.

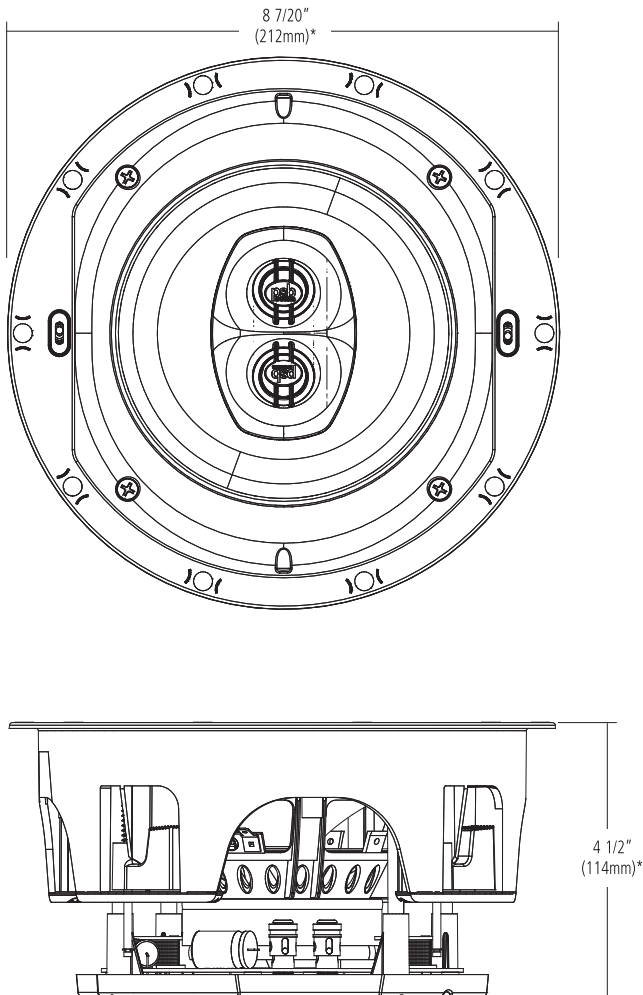
There are three models in this series, and all feature frameless magnetic grilles with invisible scrims. Both round and square grilles are provided, simplifying and reducing your inventory requirements. Each model features a simple, foolproof mounting system using heavy duty Delrin dogs. Cutting templates are included. Pre-construction brackets are also available.

CS630 Stereo/Surround Speaker

This excellent performer features a dual voice coil equipped version of the CS610 woofer and a pair of aluminium dome tweeters. This versatile speaker allows stereo sound in small spaces like bathrooms and hallways, and can also be used as surround effects speakers in home theatres. The tweeter array can be rotated after installation to get the best high frequency coverage, and like the CS650 there is a tweeter and woofer level control for final adjustment. Because there are two discrete channels, these can be wired as bipole, dipole, or even as surround plus surround rears in a 7.1 theatre!

- 6 1/2" 2-way stereo in-ceiling flush mount speaker
- Proprietary Imagine carbon-filled polypropylene cone with injection molded basket
- Dual voice coil woofer for stereo, bi-pole, or di-pole configuration
- Two proprietary 3/4" aluminium dome tweeters
- Tweeter axis adjustment
- Precision crossover network for smooth wide-band response
- Dual position switches for tweeter level and woofer level
- High strength doglegs for sasy installation and removal
- Includes both round and square magnetic frameless grilles

CustomSound CS630 Stereo/Surround In-Ceiling Speaker



Frequency Response (Anechoic Chamber)	
On Axis @ 0°±3dB	50-20,000Hz
Sensitivity (1W (2.83V) @ 1M, IEC-Filtered pink noise, C-weighted)	
Anechoic Chamber	86dB
Listening Room	88dB
Impedance	
Nominal	10 Ohms
Minimum	8 Ohms
Input Power (RMS, Clipping <10% Time)	
Recommended	10-100 Watts
Acoustic Design	
Tweeter (Nominal)	2 x 3/4" (19mm) aluminium dome Black anodized
Woofer (Nominal)	6 1/2" (165mm) Fiber-filled polypropylene cone Rubber surround Dual voice coil
Design Type	Open back
EQ Adjustment	Tweeter and woofer switch
Size (W x H x D) (Gross Dimensions)	
Mounting Depth	4 1/2" (114mm)*
Mounting Diameter	8 7/20" (212mm)*
Grill Round	9 2/5" (240mm)*
Grill Square	9 2/5" x 9 2/5" (240mm x 240mm)*
	Both round and square grills supplied
Finish	
	White

* Non-metric measurements are approximate.

REAL SOUND for REAL PEOPLE
www.PSBspeakers.com

CustomSound™ CS650 Premium 2-Way In-Ceiling Speaker



This superb group of architectural speakers embody over 40 years of cutting edge research in the field of acoustics and loudspeaker design. Musical, refined, and nearly invisible, these speakers can create a beautiful ambience, even in larger spaces. Because their sonic signature is identical to other PSB speakers, these CS600's can integrate perfectly as part of home theatres or as the soundtrack of the connected home. Since PSB has in-room, on-wall, outdoor, in-wall and in-ceiling designs at many different price points, it makes it easy to specify an audio system that you know will turn out right, be easy to specify and install, and will absolutely thrill even your most discriminating clients.

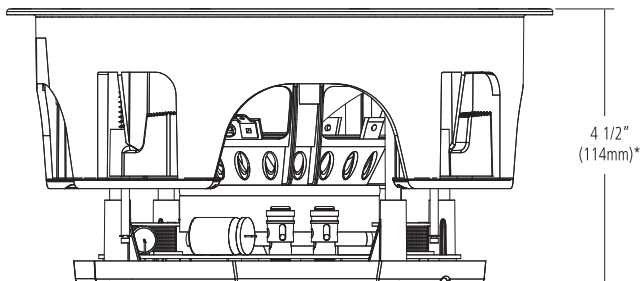
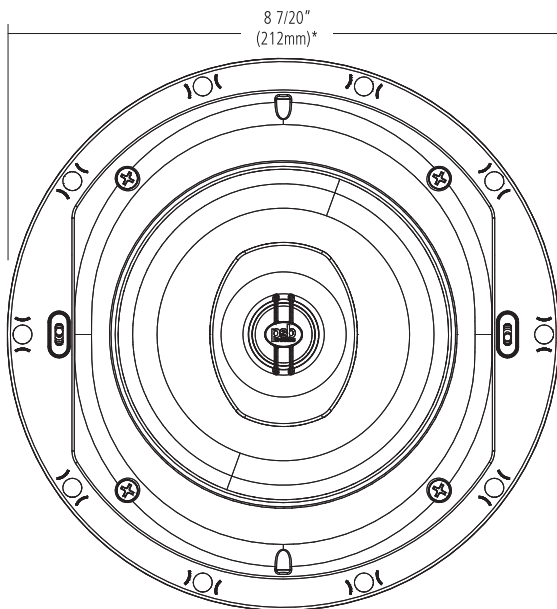
There are three models in this series, and all feature frameless magnetic grilles with invisible scrims. Both round and square grilles are provided, simplifying and reducing your inventory requirements. Each model features a simple, foolproof mounting system using heavy duty Delrin dogs. Cutting templates are included. Pre-construction brackets are also available.

CS650 Premium 2-way In-Ceiling Speaker

For primary listening areas or very large rooms, the premium woofer of the CS650 pays huge dividends in bass output and extension. This woofer includes a few of the tricks PSB has developed for its top-of-the-line Imagine T3 speaker to get higher sensitivity and lower harmonic distortion at high playback levels. It retains all of the other features and advantages of its more affordable little brother, with an upgraded 1" titanium tweeter with Wave Guide and indexed adjustment for precise adjustment of the tweeters acoustic axis. Also featured are acoustic adjustments for the mid/woofer and tweeter level.

- 6 1/2" 2-way in-ceiling flush mount speaker
- Proprietary Imagine carbon-filled polypropylene cone with injection molded basket
- Proprietary Imagine 1" titanium dome tweeter with neodymium magnet
- Aimable indexed tweeter angle adjustment
- Precision crossover network for smooth wide-band response
- Dual position switches for tweeter level and woofer level
- High strength doglegs for easy installation and removal
- Includes both round and square magnetic frameless grilles

CustomSound CS650 Premium 2-Way In-Ceiling Speaker



Frequency Response (Anechoic Chamber)

On Axis @ 0°±3dB 48-20,000Hz

Sensitivity (1W (2.83V) @ 1M, IEC-Filtered pink noise, C-weighted)

Anechoic Chamber 86dB
Listening Room 88dB

Impedance

Nominal 6 Ohms
Minimum 4 Ohms

Input Power (RMS, Clipping <10% Time)

Recommended 10-100 Watts

Acoustic Design

Tweeter (Nominal) 1" (25mm) titanium dome with ferrofluid
Woofers (Nominal) 6 1/2" (165mm)
Carbon-filled polypropylene cone
Rubber surround

Design Type

Open back

EQ Adjustment

Tweeter and woofer switch

Size (W x H x D) (Gross Dimensions)

Mounting Depth 4 1/2" (114mm)*
Mounting Diameter 8 7/20" (212mm)*
Grill Round 9 2/5" (240mm)*
Grill Square 9 2/5 x 9 2/5" (240mm x 240mm)*
Both round and square grills supplied

Finish

White

* Non-metric measurements are approximate.

REAL SOUND for REAL PEOPLE
www.PSBspeakers.com

CustomSound™ CS805 2-Way In-Ceiling Loudspeaker



This superb group of architectural speakers embody over 40 years of cutting-edge research in the field of acoustics and loudspeaker design. Musical, refined, and nearly invisible, these speakers can create a beautiful ambience, even in larger spaces. Because their sonic signature is identical to other PSB speakers, the CS series can integrate perfectly as part of home theatres or as the soundtrack of the connected home. Since PSB has in-room, on-wall, outdoor, in-wall and in-ceiling designs at many different price points, it makes it easy to specify an audio system that you know will turn out right, be easy to specify and install, and will absolutely thrill even your most discriminating clients.

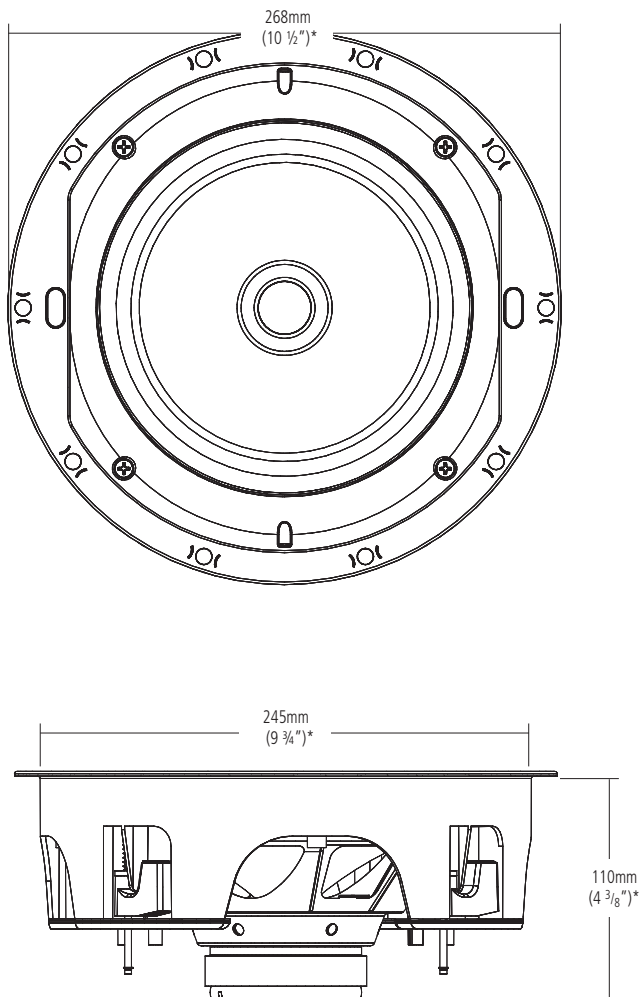
There are seven models in this series, and all feature frameless magnetic grilles with invisible scrims. Both round and square grilles are provided (CS605, CS805 only have round grills), simplifying and reducing your inventory requirements. Each model features an improved, simple, foolproof mounting system using heavy duty doglegs. Cutting templates are included. Pre-construction brackets and back-cans are also available.

CS805 2-way In-Ceiling Speaker

Our entry level 203mm (8") in-ceiling speaker is able to demonstrate the PSB signature sound at a very reasonable price. Featuring a 25mm (1") treated textile dome and 203mm (8") polypropylene cone, which produce a wide and immersive sound with a deep bass presence, the CS805 can easily handle large room envelopes. It is a speaker which punches well above its weight.

- 203mm (8") 2-way in-ceiling flush mount speaker
- Carbon-filled polypropylene cone
- Proprietary 25mm (1") treated textile dome tweeter
- High strength doglegs for easy installation and removal
- Includes round magnetic frameless grille

CustomSound CS805 2-Way In-Ceiling Loudspeaker



Frequency Response (Anechoic Chamber)

On Axis @ 0°±3dB 48-20kHz

Sensitivity (1W (2.83V) @ 1M, IEC-Filtered pink noise, C-weighted)

Anechoic Chamber 85dB
Listening Room 87dB

Impedance

Nominal 6 Ohms
Minimum 4 Ohms

Input Power (RMS, Clipping <10% Time)

Recommended 10-100 Watts

Acoustic Design

Tweeter (Nominal) 25mm (1") Treated Textile dome with ferrofluid
Woofer (Nominal) 203mm (8") Stamped Steel Basket
Black Polypropylene Cone
Foam Surround
Crossover 1st order high pass
Design Type Open back

FINISH/CONSTRUCTION

Back Frame ABS
Grille Material Steel; Perforated w white scrim
Grille Type Frameless
Connectors Spring Loaded Speaker Terminals

Size (W x H x D) (Gross Dimensions)

Mounting Depth 110mm (4 3/8")*
Cutout Diameter 245mm (9 3/4")*
Grill Round 272mm (10 3/4")*
Grill Square 272mm x 272mm (10 3/4" x 10 3/4")*
Round grill supplied

* Non-metric measurements are approximate.

REAL SOUND for REAL PEOPLE
www.PSBspeakers.com

CustomSound™ CS810 2-Way In-Ceiling Loudspeaker



This superb group of architectural speakers embody over 40 years of cutting-edge research in the field of acoustics and loudspeaker design. Musical, refined, and nearly invisible, these speakers can create a beautiful ambience, even in larger spaces. Because their sonic signature is identical to other PSB speakers, the CS series can integrate perfectly as part of home theatres or as the soundtrack of the connected home. Since PSB has in-room, on-wall, outdoor, in-wall and in-ceiling designs at many different price points, it makes it easy to specify an audio system that you know will turn out right, be easy to specify and install, and will absolutely thrill even your most discriminating clients.

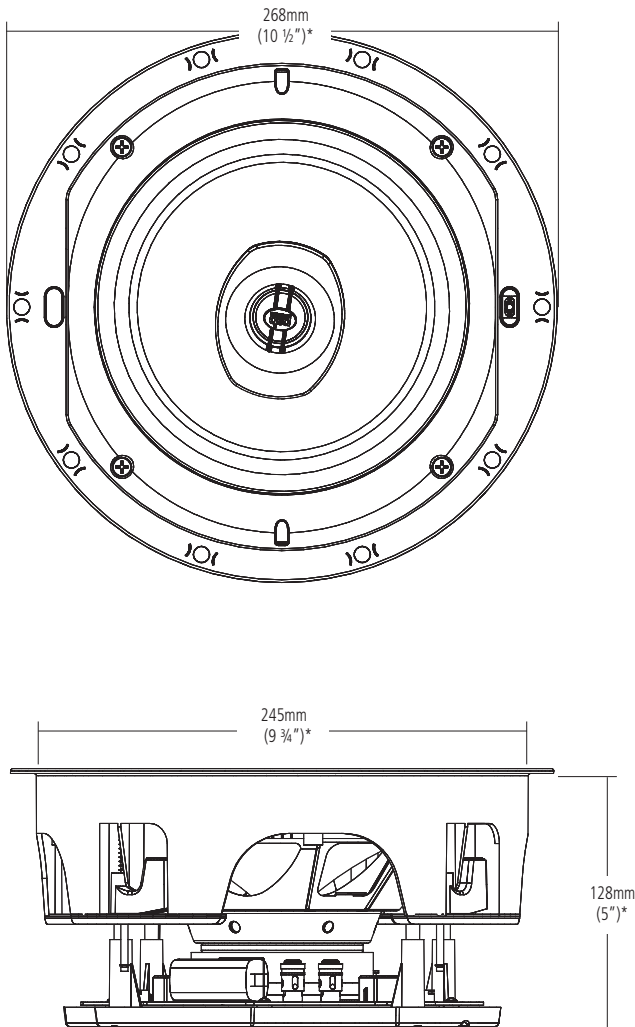
There are seven models in this series, and all feature frameless magnetic grilles with invisible scrims. Both round and square grilles are provided (CS605, CS805 only have round grills), simplifying and reducing your inventory requirements. Each model features an improved, simple, foolproof mounting system using heavy duty doglegs. Cutting templates are included. Pre-construction brackets and back-cans are also available.

CS810 2-way In-Ceiling Speaker

Featuring PSB's trademark carbon-filled polypropylene 203mm (8") woofer, this speaker has a warm and balanced sound with plenty of power handling thanks to the high temperature voice coil. The 25mm (1") aluminium dome tweeter, another proprietary PSB driver, is concentrically mounted and features a carefully engineered Wave Guide and ball-joint pivot mount assembly. This allows the tweeter to go lower in frequency, creating a perfect blend with the woofer in the cross-over region, and allows the tweeter to be aimed toward the listening position for enhanced musical imaging. Adjustment for the level of the tweeter allows you to 'dial in' the upper frequency response of the speaker and its acoustic environment after installation to achieve the most musical balance for every room.

- 203mm (8") 2-way in-ceiling flush mount speaker
- Proprietary Imagine carbon-filled polypropylene cone with steel basket
- Proprietary 25mm (1") titanium dome tweeter
- Aimable tweeter angle adjustment (ball-joint)
- Precision crossover network for smooth wide-band response
- Dual position switch for tweeter level
- High strength doglegs for easy installation and removal
- Includes both round and square magnetic frameless grilles

CustomSound CS810 2-Way In-Ceiling Loudspeaker



Frequency Response (Anechoic Chamber)

On Axis @ 0°±3dB 48-20kHz

Sensitivity (1W (2.83V) @ 1M, IEC-Filtered pink noise, C-weighted)

Anechoic Chamber 85dB
Listening Room 87dB

Impedance

Nominal 6 Ohms
Minimum 4 Ohms

Input Power (RMS, Clipping <10% Time)

Recommended 10-100 Watts

Acoustic Design

Tweeter (Nominal) 25mm (1") Titanium dome with ferrofluid
 Woofer (Nominal) 203mm (8") Stamped Steel Basket
 Black Polypropylene Cone
 Rubber surround
 Crossover 3.1kHz LR4
 Design Type Open back
 EQ Adjustment Tweeter switch

FINISH/CONSTRUCTION

Back Frame ABS
 Grille Material Steel; Perforated with white scrim
 Grille Type Frameless
 Connectors Gold-plated, Spring Loaded, 12AWG

Size (W x H x D) (Gross Dimensions)

Mounting Depth 128mm (5")*
 Cutout Diameter 245mm (9 3/4")*
 Grill Round 272mm (10 3/4")*
 Grill Square 272mm x 272mm (10 3/4" x 10 3/4")
Both round and square grill supplied

* Non-metric measurements are approximate.

REAL SOUND for REAL PEOPLE
www.PSBspeakers.com

CustomSound™ CS850 2-Way In-Ceiling Loudspeaker



This superb group of architectural speakers embody over 40 years of cutting-edge research in the field of acoustics and loudspeaker design. Musical, refined, and nearly invisible, these speakers can create a beautiful ambience, even in larger spaces. Because their sonic signature is identical to other PSB speakers, the CS series can integrate perfectly as part of home theatres or as the soundtrack of the connected home. Since PSB has in-room, on-wall, outdoor, in-wall and in-ceiling designs at many different price points, it makes it easy to specify an audio system that you know will turn out right, be easy to specify and install, and will absolutely thrill even your most discriminating clients.

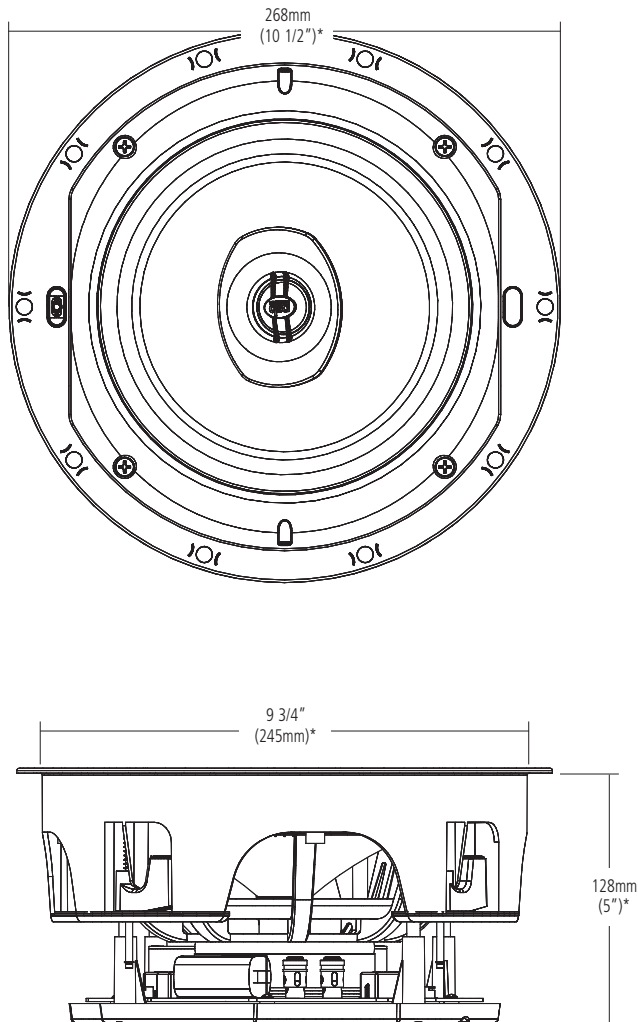
There are seven models in this series, and all feature frameless magnetic grilles with invisible scrims. Both round and square grilles are provided (CS605, CS805 only have round grilles), simplifying and reducing your inventory requirements. Each model features an improved, simple, foolproof mounting system using heavy duty doglegs. Cutting templates are included. Pre-construction brackets and back-cans are also available.

CS850 Premium 2-way In-Ceiling Speaker

Our premium 8" model is capable of delivering deep powerful bass in large room envelopes with a tremendous level of detail. Sharing some DNA with our top-of-the-line Imagine T3 speaker, it is able to achieve higher sensitivity and lower harmonic distortion at high playback levels. It retains all of the other features and advantages of its more affordable little brother, with an upgraded 1" titanium tweeter with Wave Guide and indexed adjustment for precise adjustment of the tweeters acoustic axis. Also featured are acoustic adjustments for the mid/woofer and tweeter level.

- 203mm (8") 2-way in-ceiling flush mount speaker
- Proprietary Imagine carbon-filled polypropylene cone with cast basket
- Proprietary 25mm (1") titanium dome tweeter
- Aimable tweeter angle adjustment (indexed)
- Precision crossover network for smooth wide-band response
- Dual position switches for tweeter and midwoofer levels
- High strength doglegs for easy installation and removal
- Includes both round and square magnetic frameless grilles

CustomSound CS850 2-Way In-Ceiling Loudspeaker



Frequency Response (Anechoic Chamber)

On Axis @ 0°±3dB 45-20kHz

Sensitivity (1W (2.83V) @ 1M, IEC-Filtered pink noise, C-weighted)

Anechoic Chamber 86dB
Listening Room 88dB

Impedance

Nominal 6 Ohms
Minimum 4 Ohms

Input Power (RMS, Clipping <10% Time)

Recommended 10-100 Watts

Acoustic Design

Tweeter (Nominal) 25mm (1") Titanium dome with ferrofluid

Woofer (Nominal) 203mm (8") Cast Basket
Black Polypropylene Cone
Rubber surround

Crossover 3.1kHz LR4

Design Type Open back

EQ Adjustment Tweeter & Woofer Switch

FINISH/CONSTRUCTION

Back Frame ABS

Grille Material Steel; Perforated w white scrim

Grille Type Frameless

Connectors Gold-plated, Spring Loaded, 12AWG

Size (W x H x D) (Gross Dimensions)

Mounting Depth 128mm (5")*
Cutout Diameter 245mm (9 3/4")*
Grill Round 272mm (10 3/4")*
Grill Square 272mm x 272mm (10 3/4" x 10 3/4")*
Both round and square grill supplied

* Non-metric measurements are approximate.

REAL SOUND for REAL PEOPLE
www.PSBspeakers.com